

D

D

C

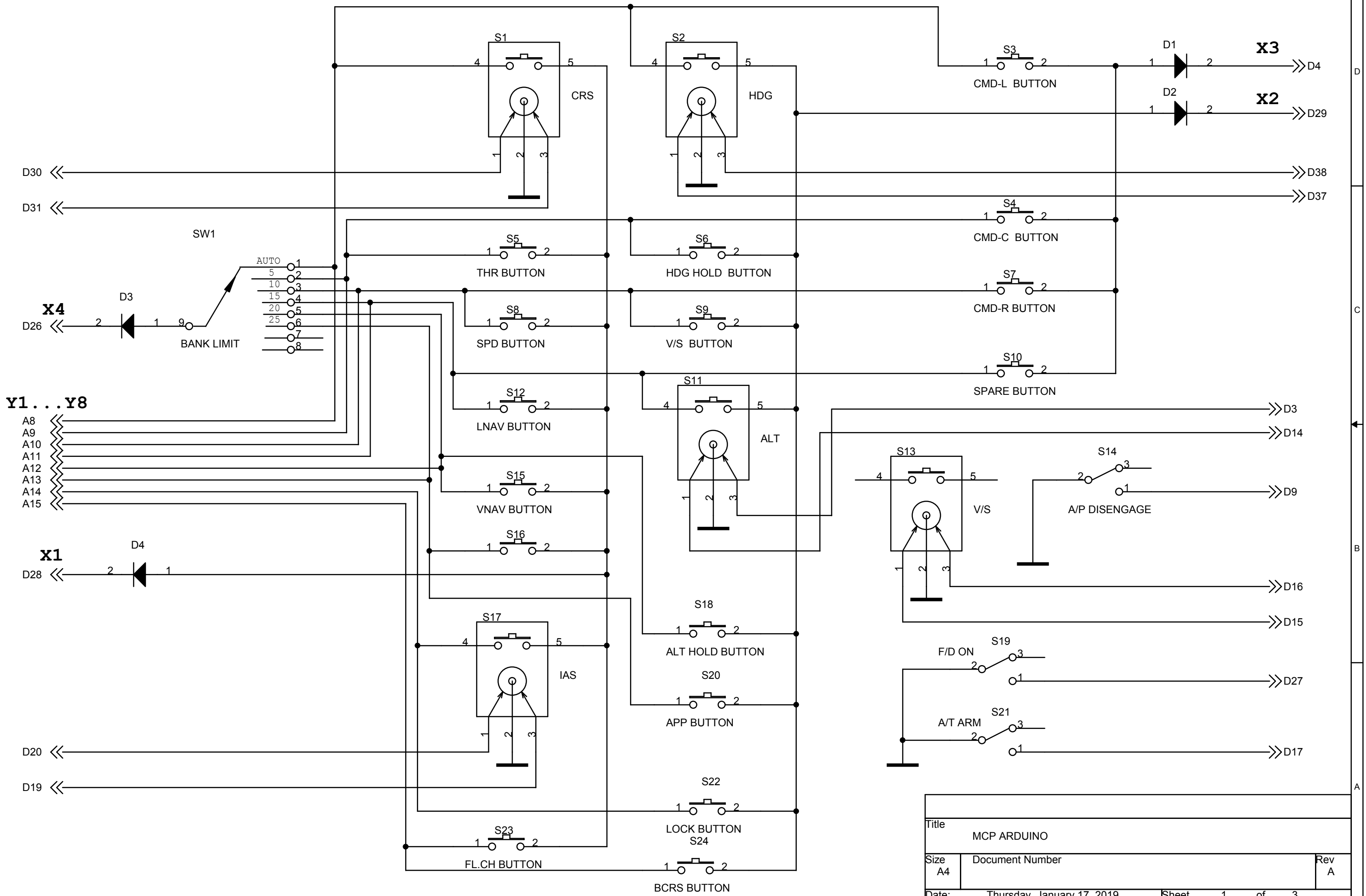
C

B

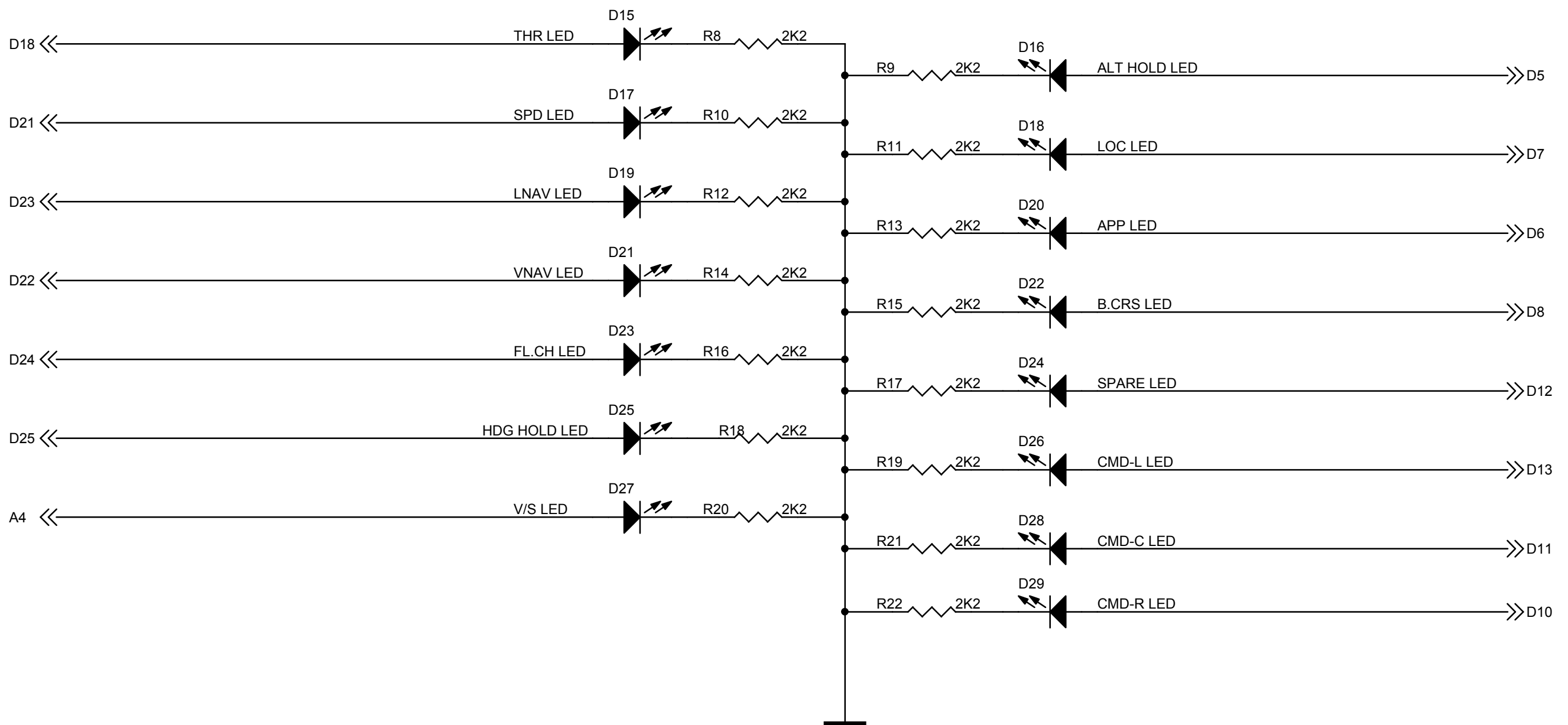
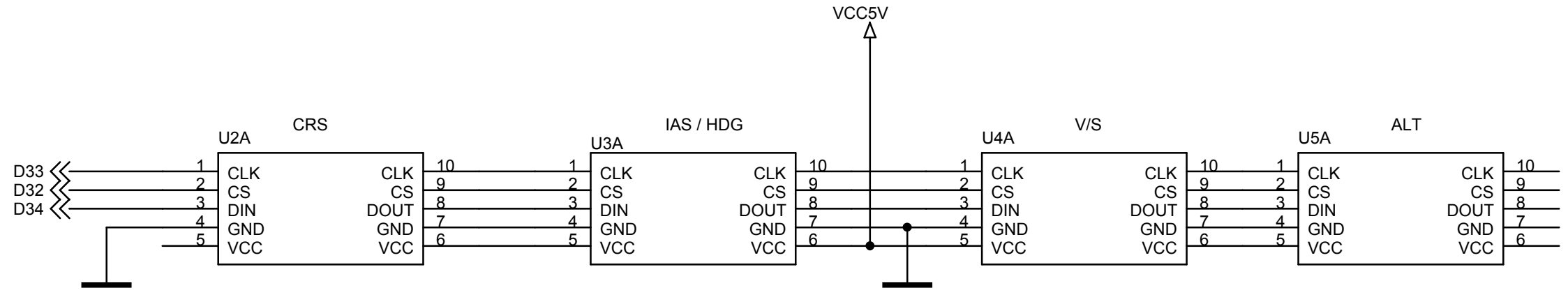
B

A

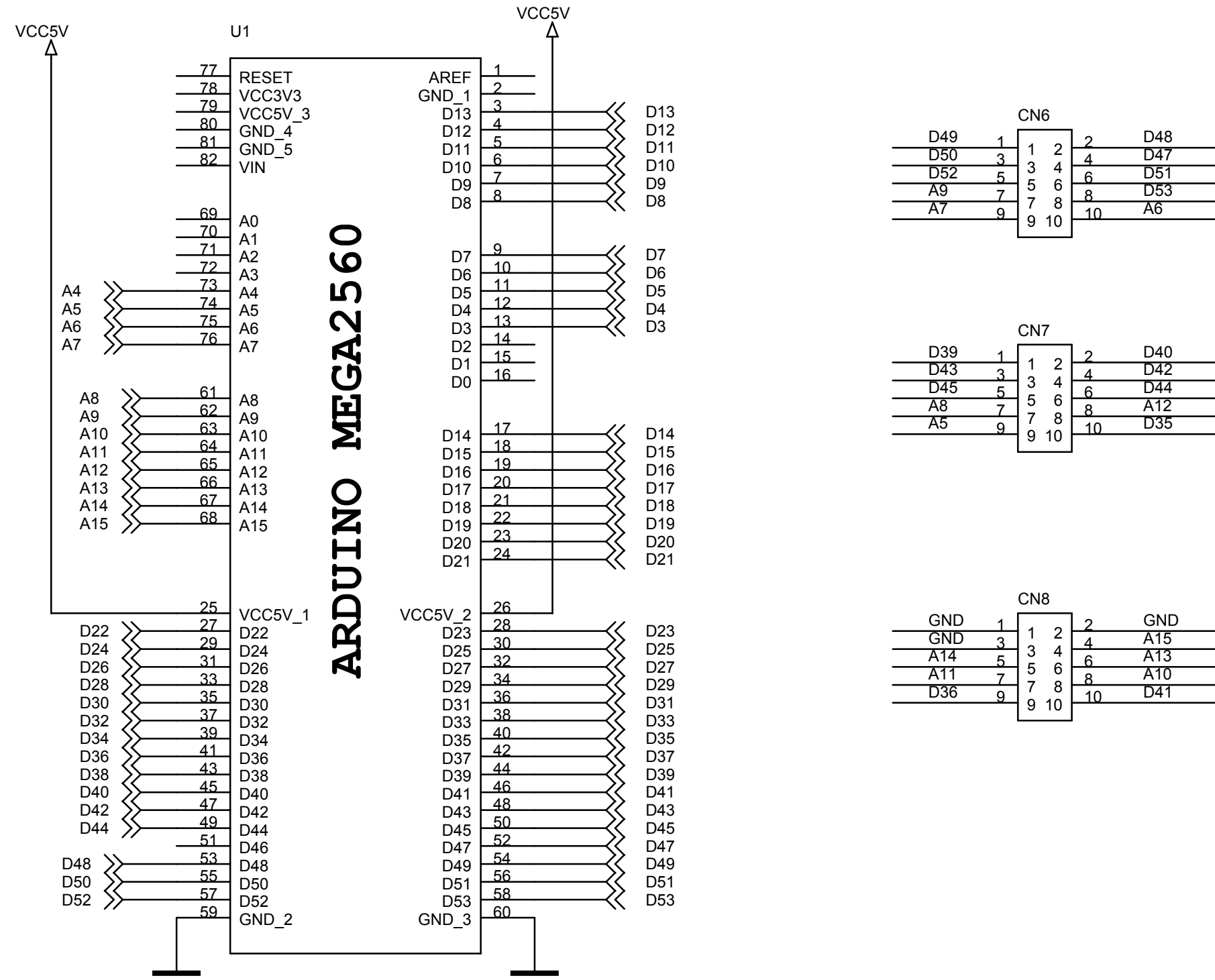
A



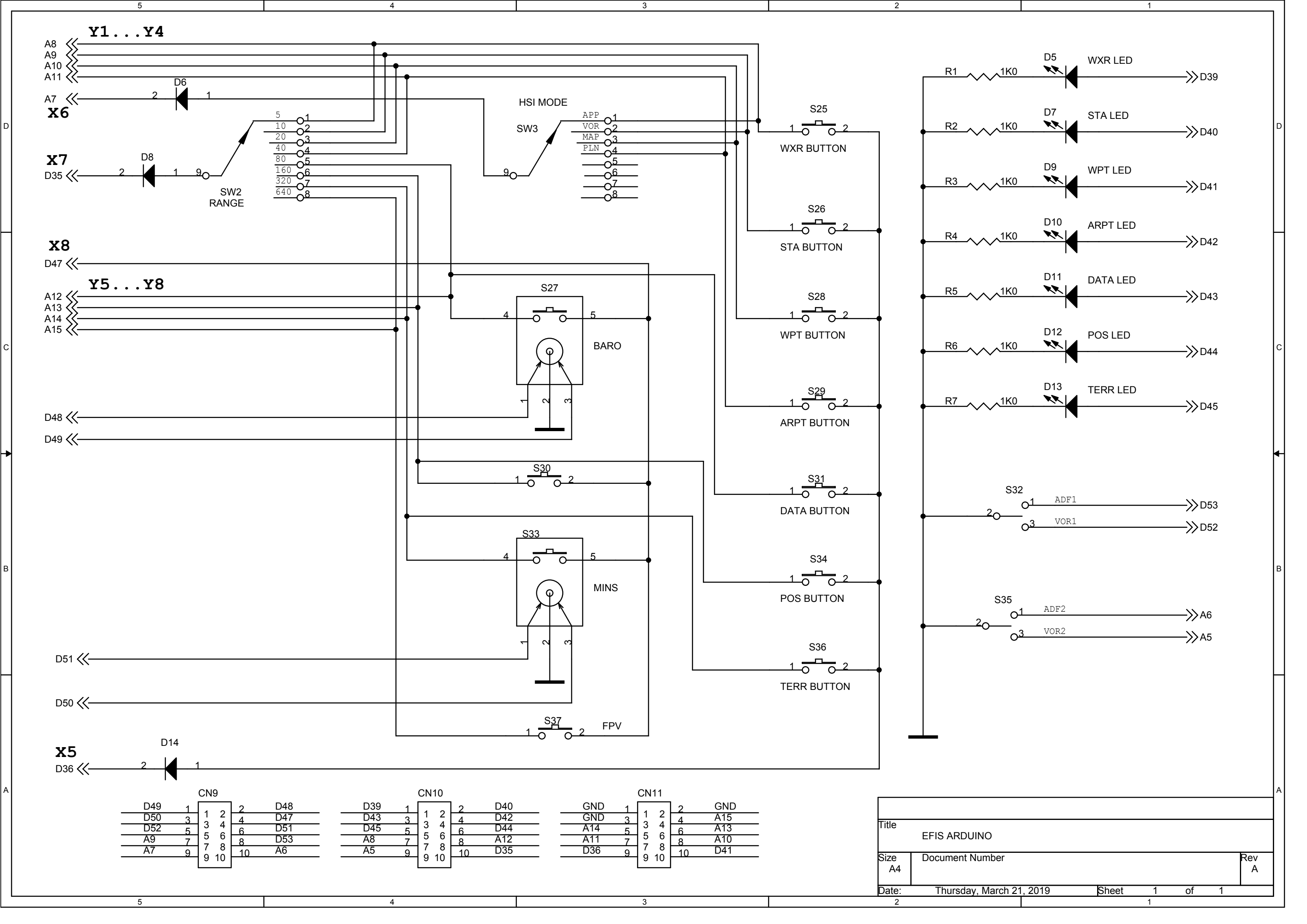
Title		
MCP ARDUINO		
Size	Document Number	Rev
A4		A
Date:	Thursday, January 17, 2019	Sheet 1 of 3



Title		
MCP ARDUINO		
Size	Document Number	Rev
A4		A
Date:	Thursday, January 17, 2019	Sheet 2 of 3



Title		
MCP ARDUINO		
Size	Document Number	Rev
A4		A
Date:	Thursday, January 17, 2019	Sheet 3 of 3



Y1...Y4

A8
A9
A10
A11

X6

X7

X8

Y5...Y8

A12
A13
A14
A15

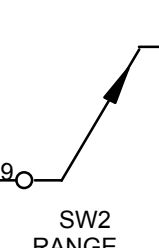
D48
D49

D51

D50

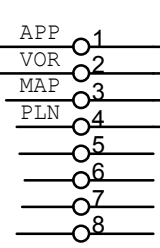
X5

D36

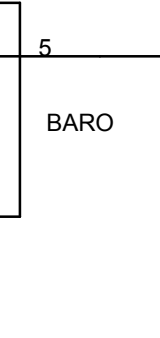


HSI MODE

SW3



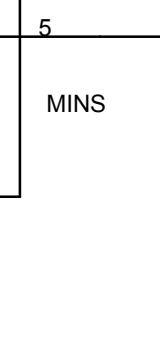
S27



BARO

S30

S33



MINS

S37

FPV

S25

WXR BUTTON

S26

STA BUTTON

S28

WPT BUTTON

S29

ARPT BUTTON

S31

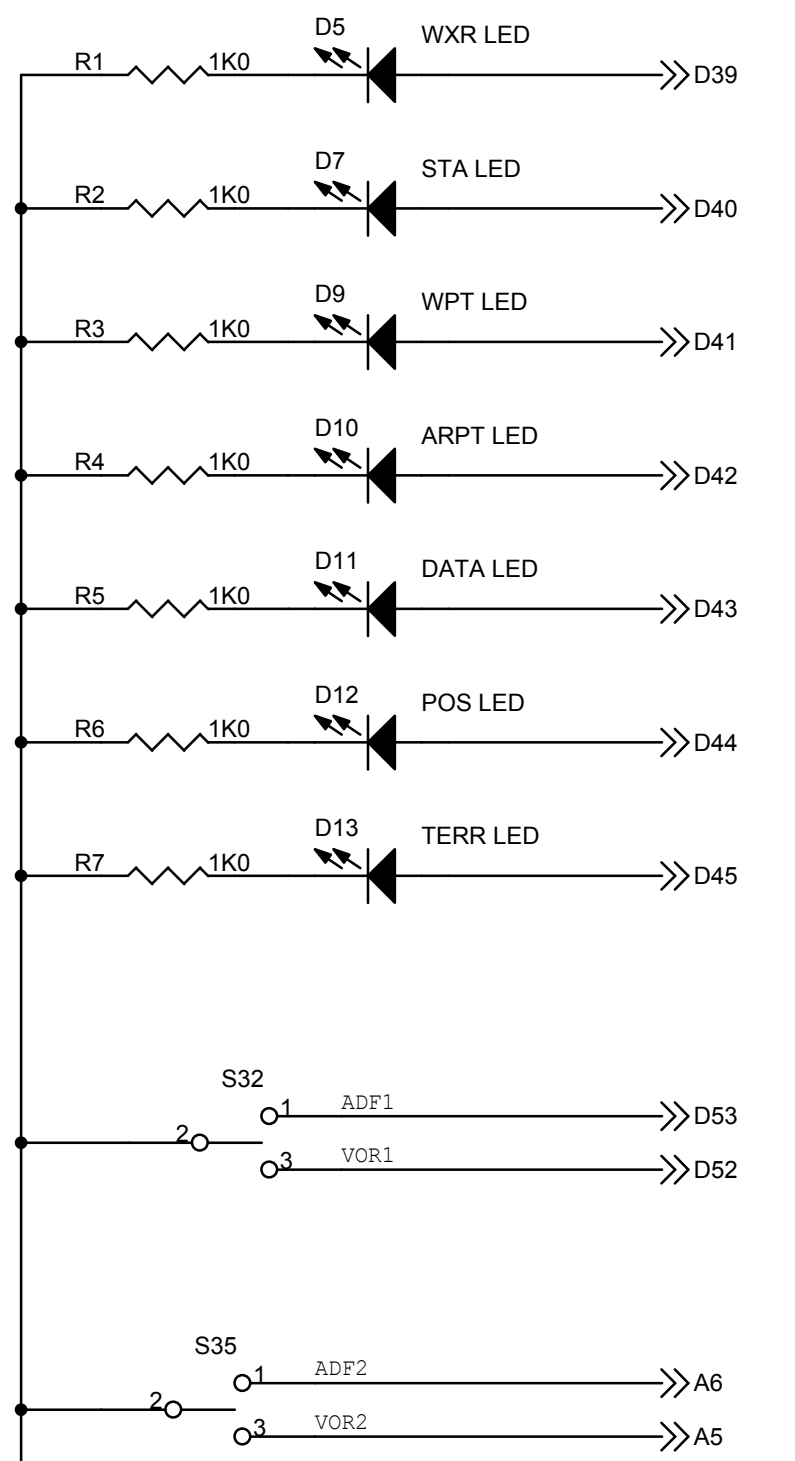
DATA BUTTON

S34

POS BUTTON

S36

TERR BUTTON



CN9	
D49	1
D50	3
D52	5
A9	7
A7	9
2	10
3	1
4	2
6	3
8	4
D48	5
D47	6
D51	7
D53	8
A6	9

CN10	
D39	1
D43	3
D45	5
A8	7
A5	9
2	10
4	1
6	2
8	3
A12	4
D35	5

CN11	
GND	1
GND	3
A14	5
A11	7
D36	9
2	10
4	1
6	2
A15	3
A13	4
A10	5
D41	6

Title		
EFIS ARDUINO		
Size	Document Number	Rev
A4		A
Date:	Thursday, March 21, 2019	Sheet 1 of 1