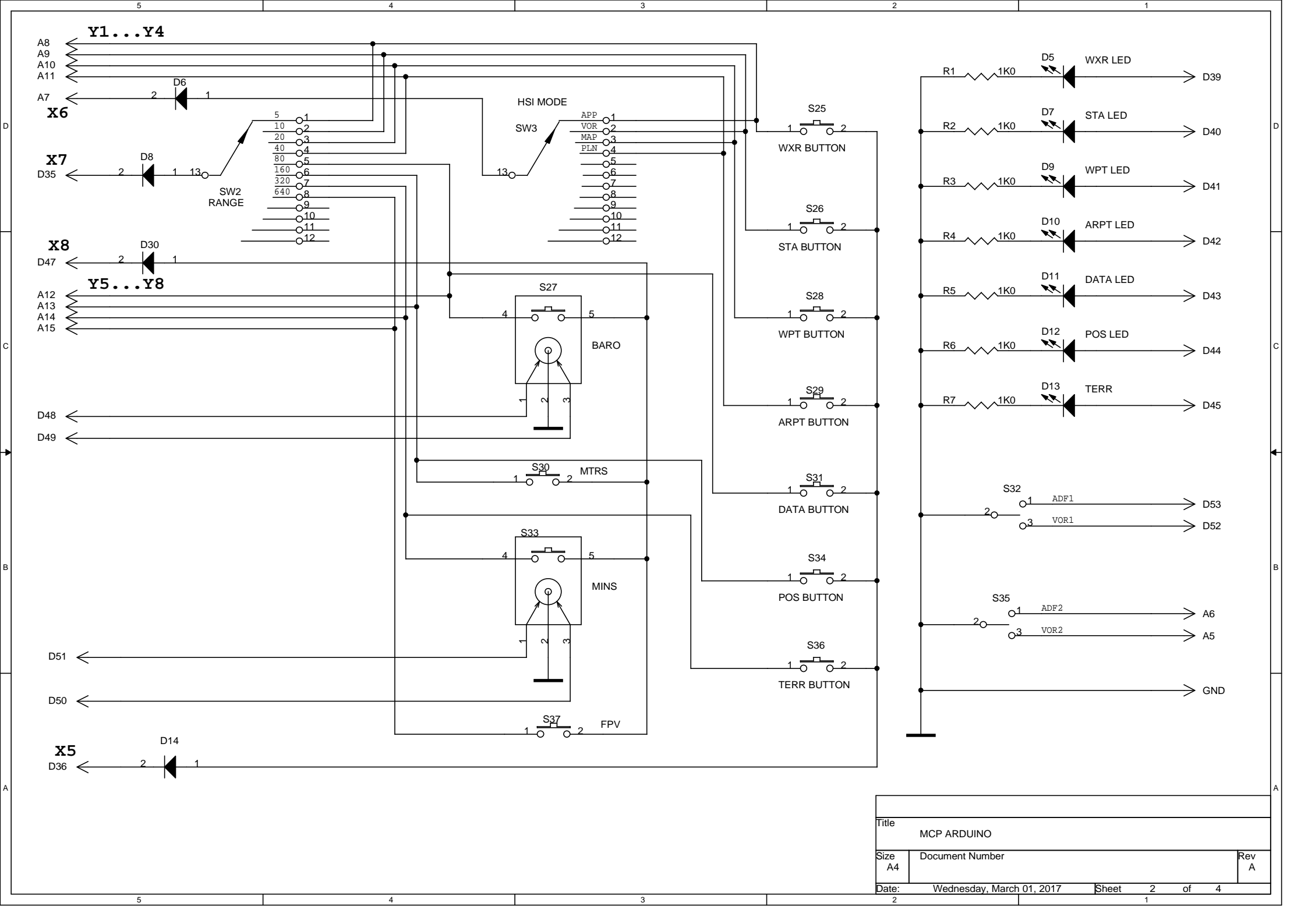
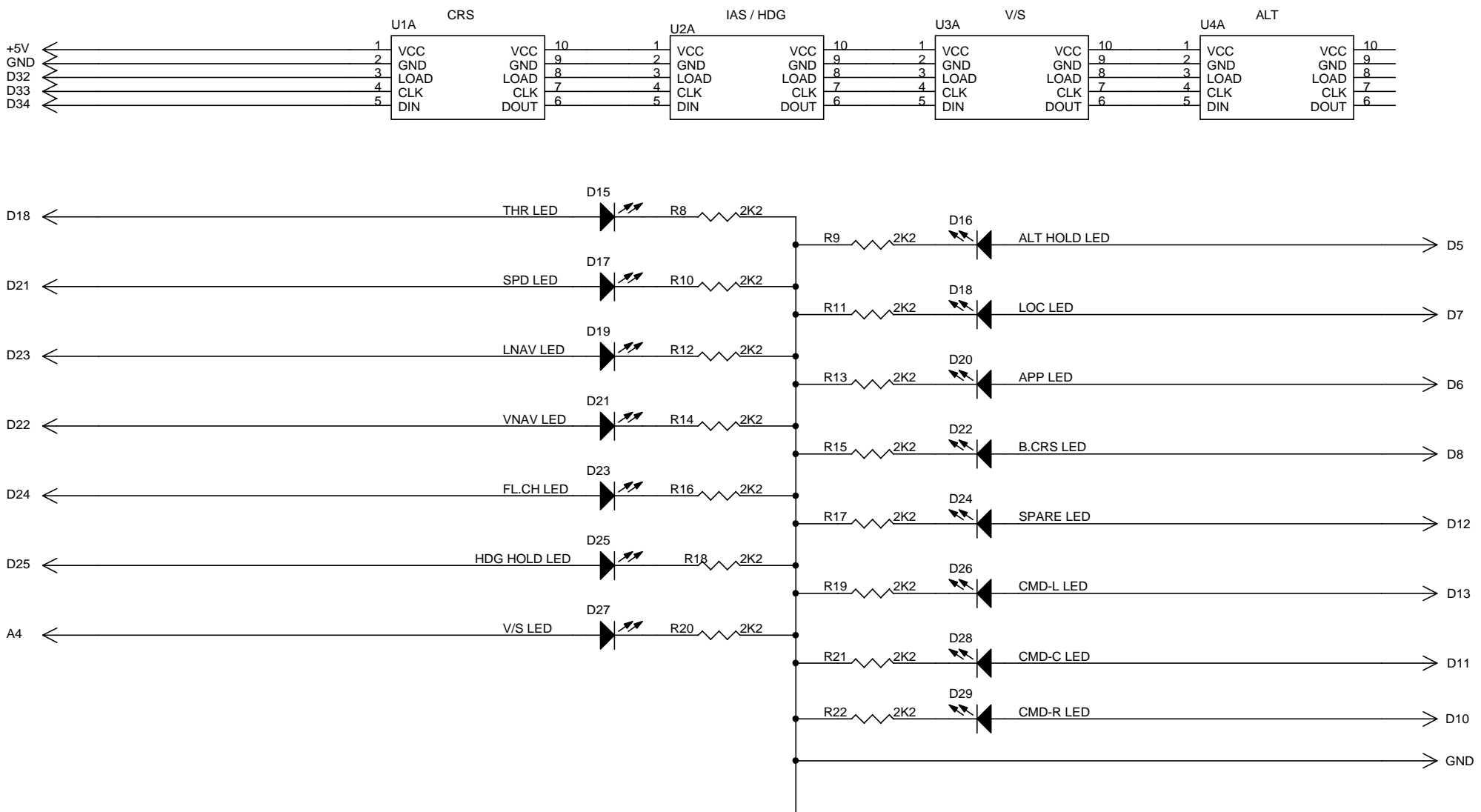


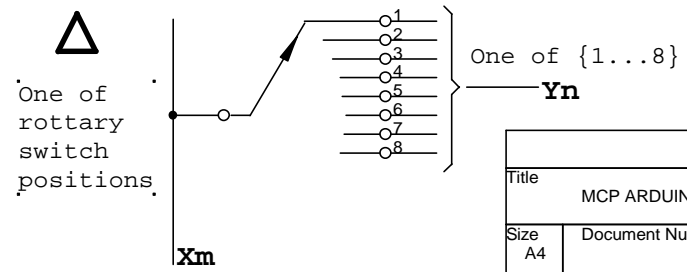
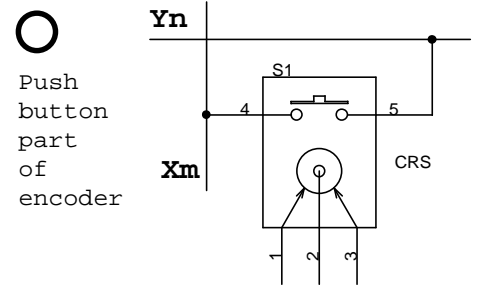
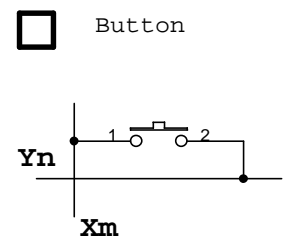
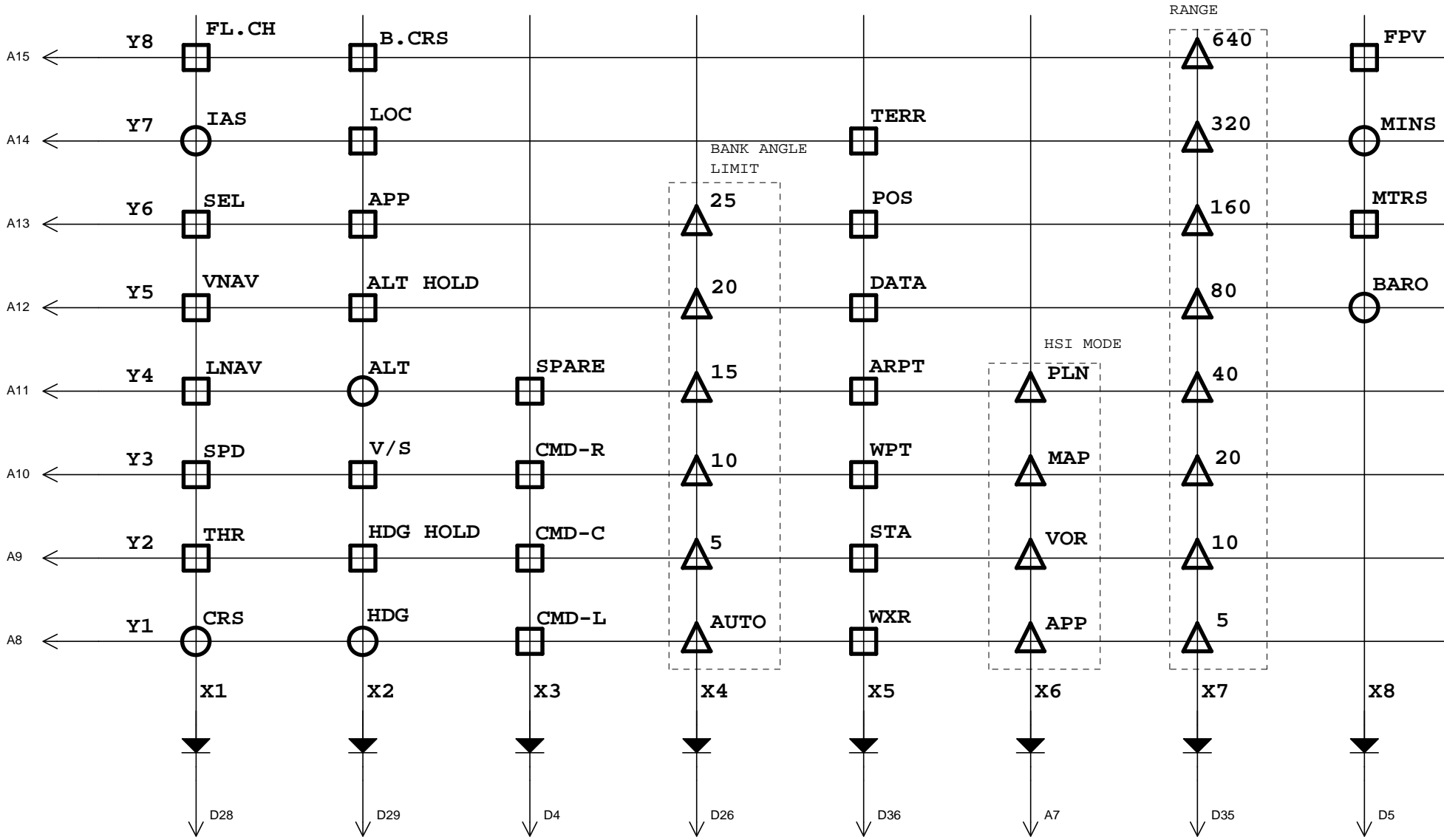
Title		
MCP ARDUINO		
Size	Document Number	Rev
A4		A
Date:	Wednesday, March 01, 2017	Sheet 1 of 4



Title		
MCP ARDUINO		
Size	Document Number	Rev
A4		A
Date:	Wednesday, March 01, 2017	Sheet 2 of 4



Title		
MCP ARDUINO		
Size	Document Number	Rev
A4		A
Date:	Wednesday, March 01, 2017	Sheet 3 of 4



Title		
MCP ARDUINO		
Size	Document Number	Rev
A4		A
Date:	Wednesday, March 01, 2017	Sheet 4 of 4