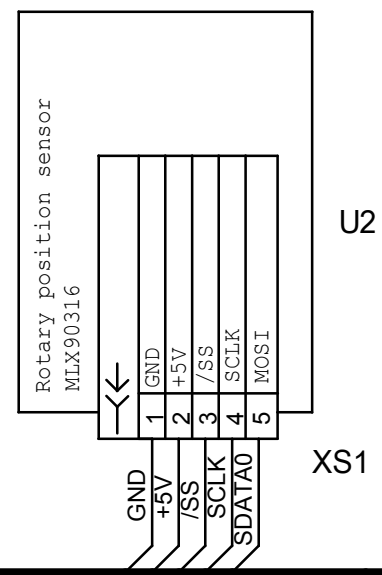
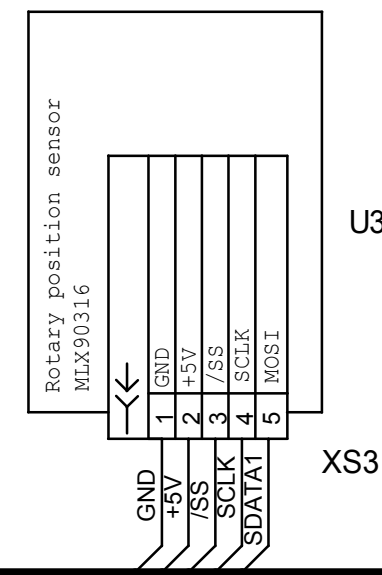


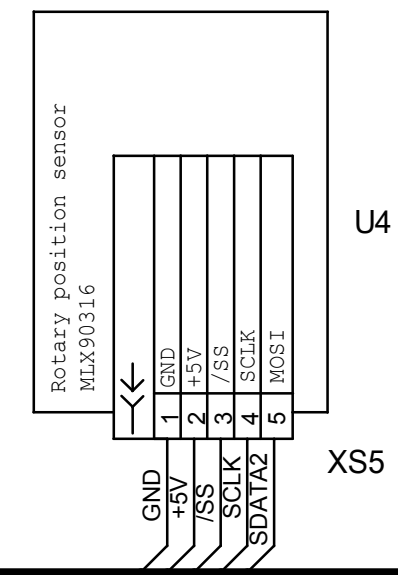
SPEED BRAKE



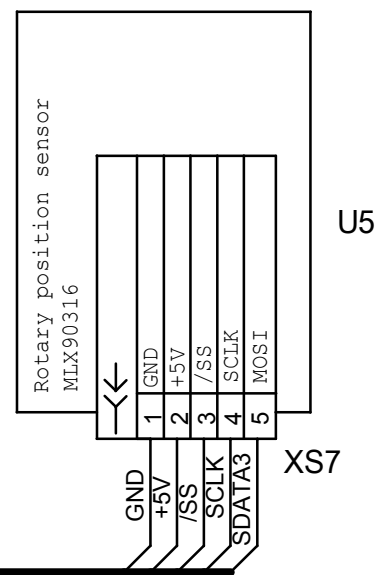
THROTTLE LEFT



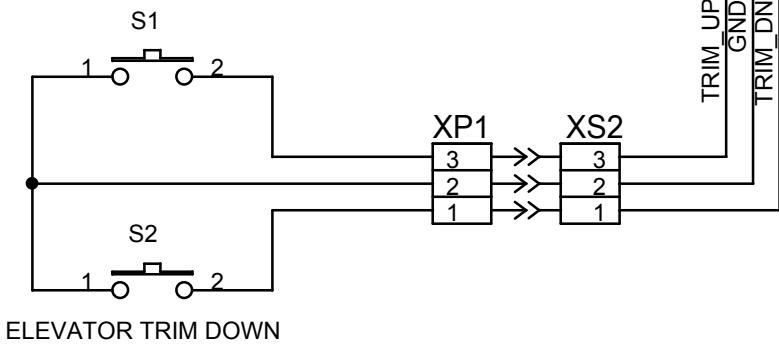
THROTTLE RIGHT



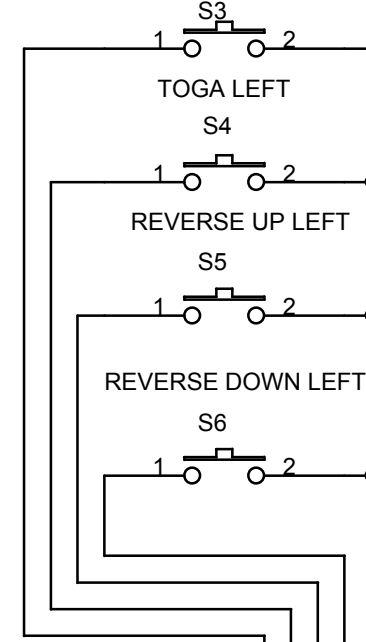
FLAPS



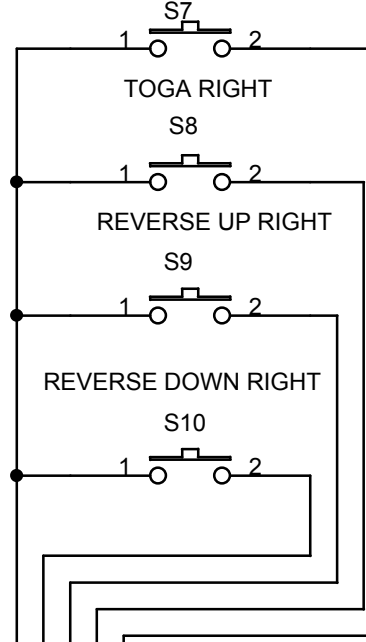
ELEVATOR TRIM UP



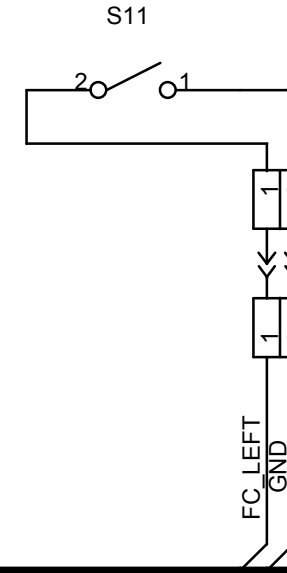
AUTO THROTTLE DIS LEFT



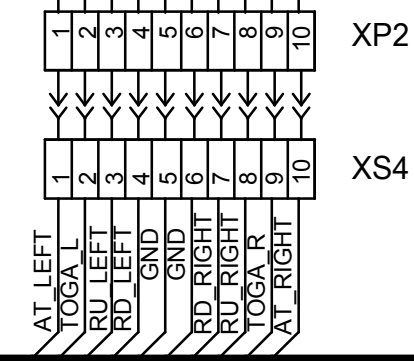
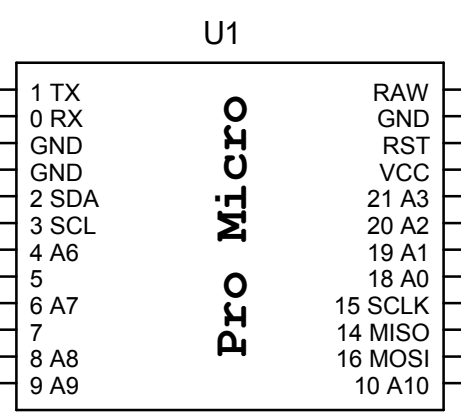
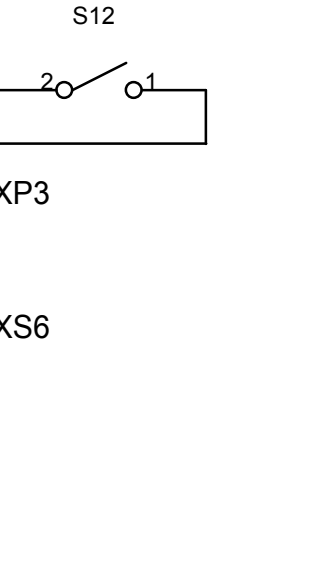
AUTO THROTTLE DIS RIGHT



FUEL CUT OFF LEFT



FUEL CUT OFF RIGHT



Title		
THROTTLE QUADRANT 2xENG JET		
Size	Document Number	Rev
A4		A
Date:	Wednesday, February 17, 2021	Sheet 1 of 1